

STREET LIGHT POLE INSTALLATION DETAILS

REVISION: Updated Dimension from Conduit to Curb Face (Page 2) from 24" to 18"

CHECKED BY (ENGINEERING): SJ
 DATE: 12/19/14

CHECKED BY (FIELD): BC

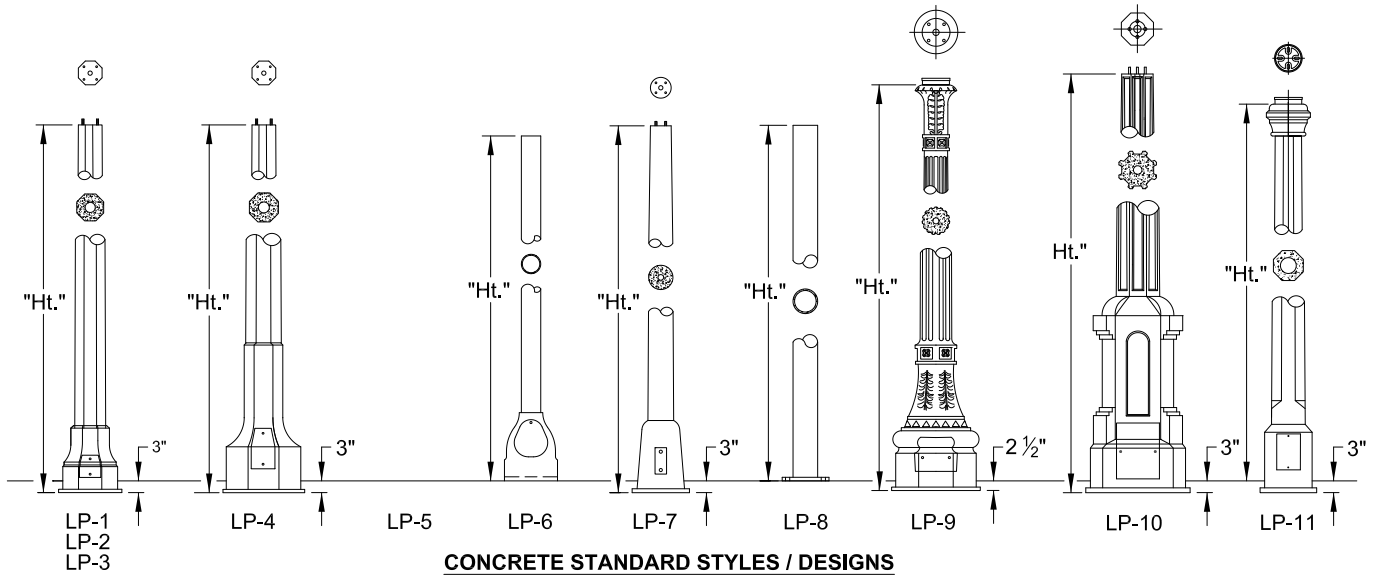
PREPARED / REVISED BY: SJR

APPROVED BY: *Eren Mejia*

GENERAL: Acceptable Street Light Components are listed by Item Number in the following schedules. Other equal components may be used if prior Department approval is obtained. Any of the components covered by a particular Item No. in the schedules are acceptable, unless otherwise noted on the Plans. Street Lights shall consist of components as indicated by Item No. on the plans. For details see UGS drawing listed in the schedules.

A.E.C. - American Electric Corp.
 Ameron - Ameron Inc. Pole Products Division
 Antique - Antique Street Lamps Inc.
 AP - Associated Plastics Inc.
 Brooks - Brooks Products Inc.
 C.H. - Crouse Hinds
 Dtl - Dark To Light.
 F.P. - Fisher-Pierce, Division, of Pacific Scientific.

G.E. - General Electric Co.
 HAPCO - HAPCO Co.
 King - King Luminaire Company Inc.
 P.S.P.C. - Pacific Southwest Pipe Co.
 Union Metal Co. (Formerly PUMCO)
 Quikset - Associated Concrete Products, Inc.
 Sylv. - Sylvania,
 General Telephone & Electronics



STREET LIGHT CONCRETE STANDARD (POLE)								
Light Pole No.	Description / Material	Manufacturer's Catalog No.						RPU Stock No. (For Internal Use Only)
		Union Metal		Ameron		Hapco		
		Part No.	Ht.	Part No.	Ht.	Part No.	Ht.	
LP-1	Marbelite Octagonla / Concrete	41	17'3"	4B1-17	17'8"	-	-	25105
LP-2	Marbelite Octagonla / Concrete	45	24'3"	4B1-24	24'8"	-	-	25112
LP-3	Marbelite Octagonla / Concrete	46	26'9"	4B1-27	27'2"	-	-	25126
LP-4	Marbelite Octagonla / Concrete	68	-	6B1-31	31'7"	-	-	25117
LP-5	Concrete	TC7010	-	-	-	-	-	-
LP-6	Aluminum / (Black Finish), Round	-	-	-	-	77-005	14'0"	25104
LP-7	Round / Concrete	1214-T	14'3"	7B2-14	14'6"	-	-	-
LP-8	Round, Tapered / Steel	201-11-090-370-1	40'0"	-	-	-	-	25128
LP-9	Corsican / Concrete	-	-	20CT15	15'1"	-	-	25123
LP-10	Raincross / Concrete	-	-	9CT17	17'6"	-	-	25112
LP-11	Kodiak / Concrete	-	-	10CT12	12'3"	-	-	N/A

Shaded areas are no longer installed but for reference only.

STREET LIGHT POLE INSTALLATION DETAILS

REVISION: Updated Dimension from Conduit to Curb Face (Page 2) from 24" to 18"

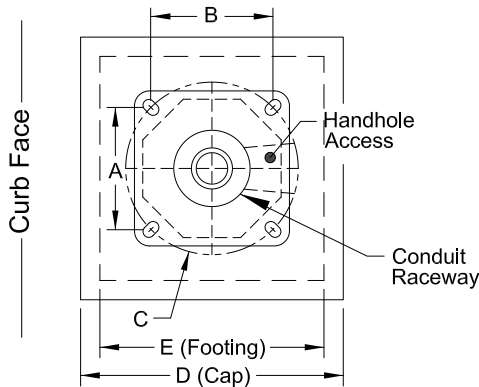
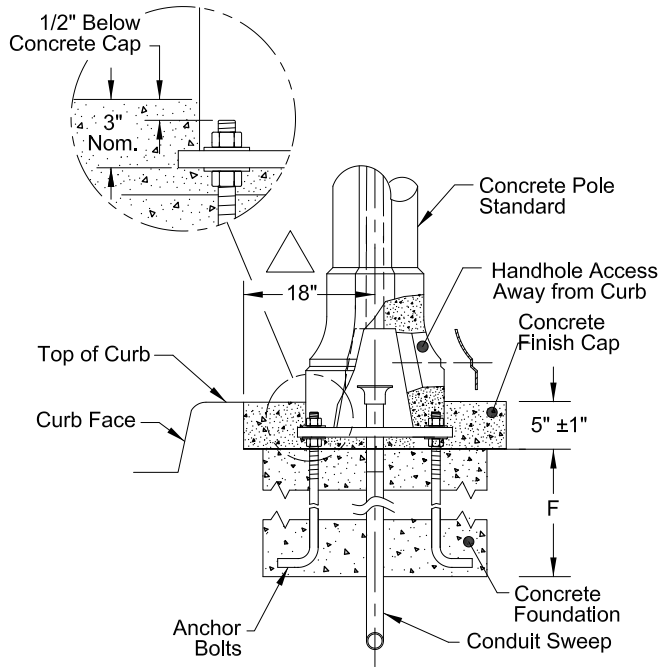
CHECKED BY (ENGINEERING): SJ

DATE: 12/19/14

CHECKED BY (FIELD): BC

PREPARED / REVISED BY: SJR

APPROVED BY: *Eren Mejia*

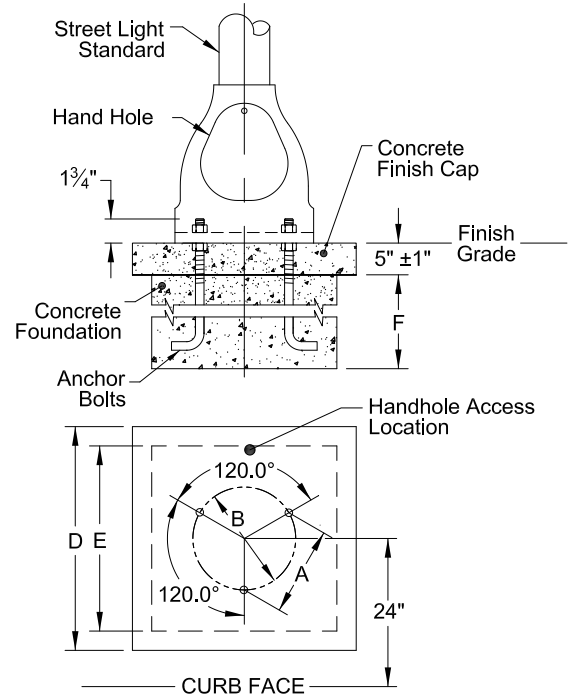


STREET LIGHT CONCRETE POLE DETAILS							
Item No.	Pole Mounting			Concrete Cap/Footing			
	Anchor Bolt Size	A	B	C (Dia.)	D (Sq.)	E (Sq.)	F (Ht.)
LP-1	1" x 36" x 4"				36"	36"	48"
LP-2	1" x 36" x 4"	12"	12"	17"	36"	36"	48"
LP-3	1" x 36" x 4"				36"	36"	48"
LP-4	1" x 36" x 4"	14 7/8"	14 7/8"	21"	36"	36"	48"
LP-5	1-1/4" x 44" x 4"	12"	12"	17"	36"	36"	60"
LP-7	3/4" x 18" x 3"	10 1/4"	10 1/4"	14 1/2"	36"	24"	30"
LP-8	1" x 36" x 4"	9 3/16"	9 3/16"	13"	36"	36"	60"
LP-9	3/4" x 18" x 4"	15 9/16"	15 9/16"	22"	36"	36"	36"
LP-10	See UGS-804 for Details						
LP-11	3/4" x 18" x 4"	15"	7.5"	-	36"	24"	24"

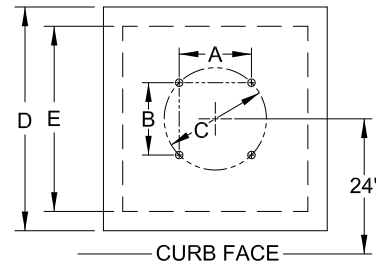
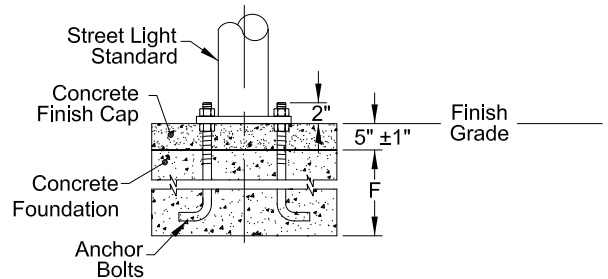
Shaded areas are no longer installed but for reference only.

Notes:

1. See specifications for conduit entrances, bonding and foundation requirements.
2. Confirm bolt circle dimensions with manufacturer.
3. Streetlight door opening to face sidewalk.
4. Streetlight base concrete cap (B) shall be poured separately and independently of the sidewalk, forming a cold joint around the streetlight standard.



STREET LIGHT ALUMINUM POLE DETAILS						
Item No.	Pole Mounting			Concrete Cap/Footing		
	Anchor Bolt Size	A	B (Dia.)	D (Sq.)	E (Sq.)	F (Ht.)
LP-6	1" x 36" x 4"	7 13/16"	9"	36"	36"	36"



STREET LIGHT STEEL POLE DETAILS							
Item No.	Pole Mounting			Concrete Footing			
	Anchor Bolt Size	A	B	C (Dia.)	D (Sq.)	E (Sq.)	F (Ht.)
LP-8	1" x 40" x 4"	9 3/16"	9 3/16"	13"	36"	36"	60"