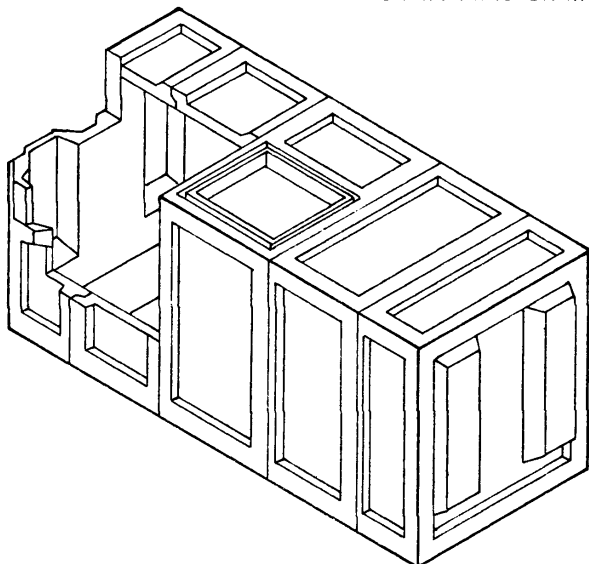


VAULTS AND MANHOLES (PRECAST CONCRETE)

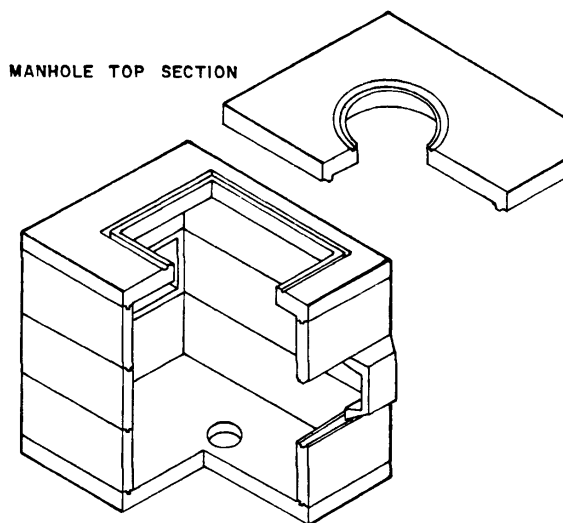
SEE UGS-005 FOR VAULT AND MANHOLE REQUIREMENTS. SEE UGS-053 FOR VAULT COVERS (48"x60" standard opening) AND UGS-062 FOR MANHOLE COVERS (27" standard opening).

DEEP RECESS KNOCKOUTS LOCATED AS SPECIFIED ON WORKING DRAWINGS

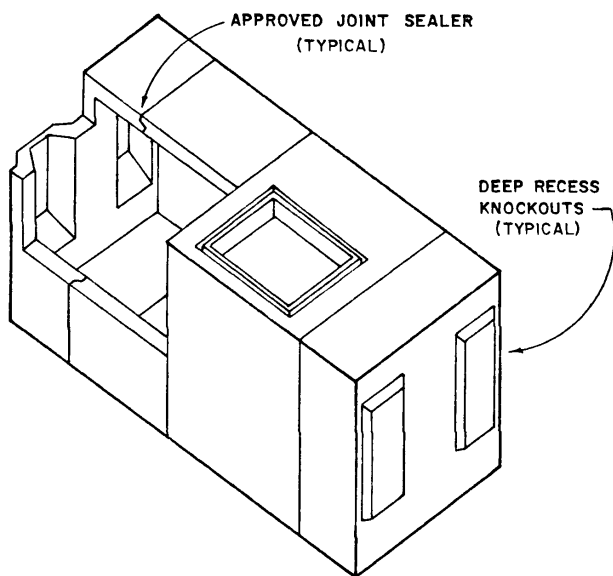
UNDERGROUND STRUCTURES
DEPT. PUBLIC UTILITIES
RIVERSIDE



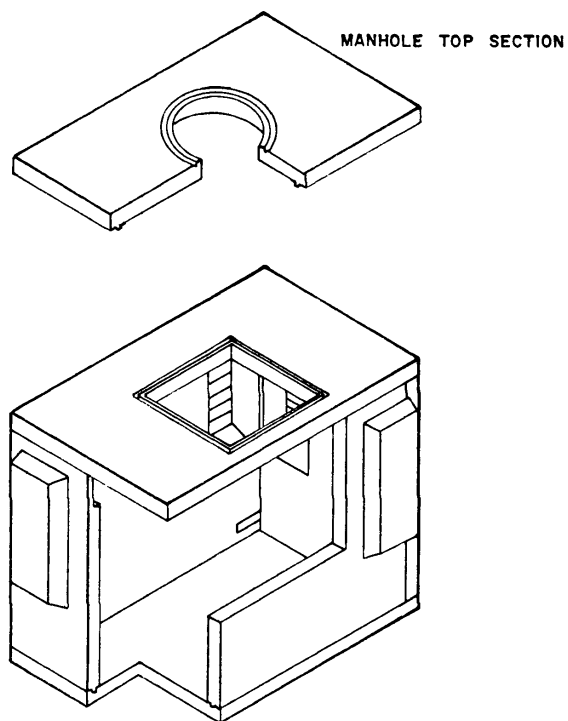
QUICKSET VERTICAL SECTION VAULT



QUICKSET VAULT/MANHOLE



BROOKS TUNNEL VAULT



BROOKS VAULT/MANHOLE


REVISION APPROVED

LATEST REVISION: REDRAWN