

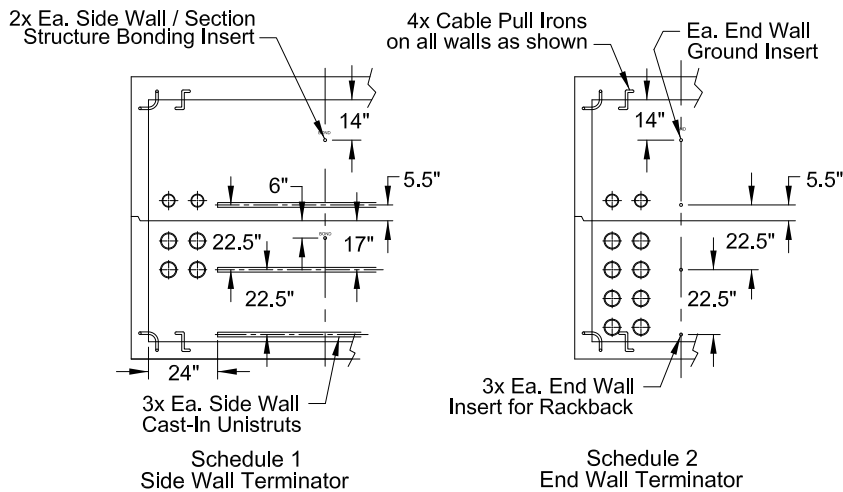
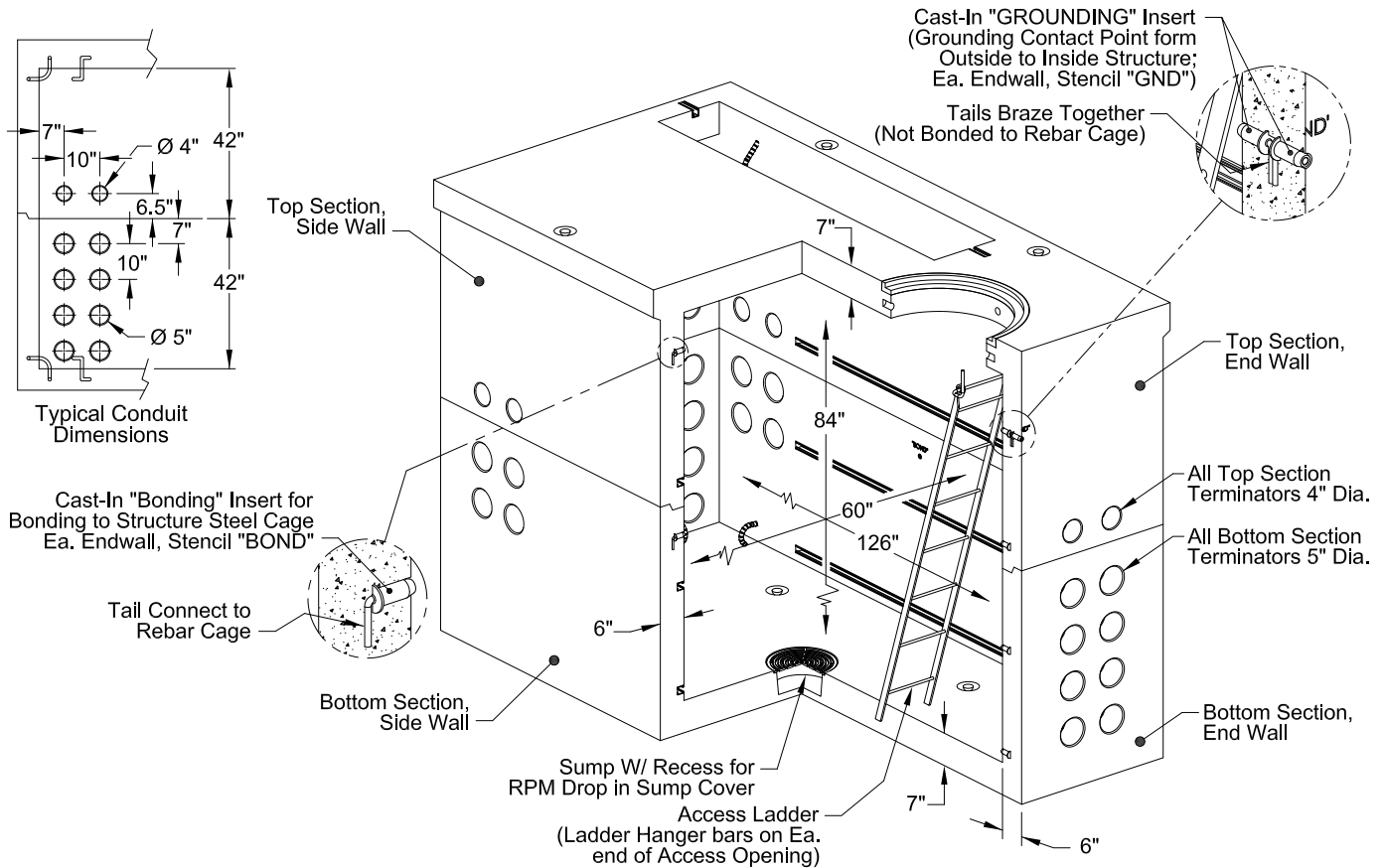
PME (7' LEFT & RIGHT) REQUIREMENTS (PRECAST)

REVISION: Relocated from UGS-460.3 & 460.4; Structure Redesign & Optional Center Section Added for Grade Elevation (See UGS-005.4).

CHECKED BY (ENGINEERING): SJ DATE: 05/19/15

CHECKED BY (FIELD): GY

PREPARED BY: SJR
 APPROVED BY: *Shen Mejia*



Item No.	Nominal Size "Inside" (Depth x Width x Height)	Terminator Schedule	
		Side Wall	End Wall
6	5' x 10' 6" x 7' PME "Right"	1	2
8	5' x 10' 6" x 7' PME "Left"	1	2

Notes:

- See UGS-005 for RPU Approved manufacturers of precast PME structures and catalog numbers.
- Top Endwall terminator approximate depth is 36.50" (with structure 4" above ground level).

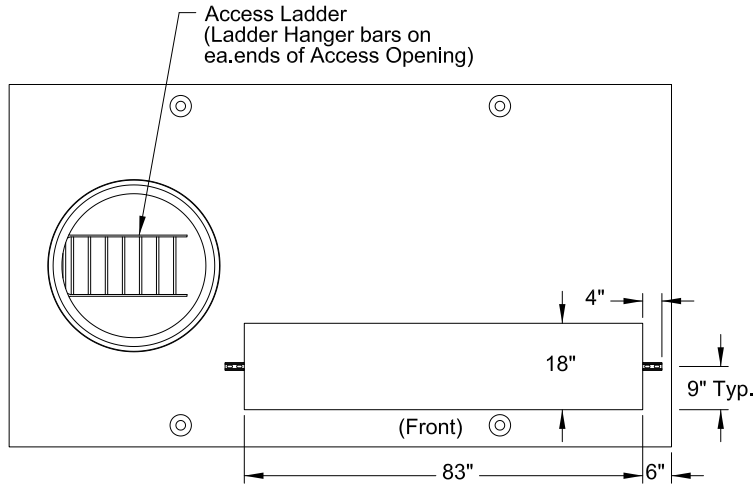
PME (7' LEFT & RIGHT) REQUIREMENTS (PRECAST)

REVISION: Relocated from UGS-460.3 & 460.4; Structure Redesign & Optional Center Section Added for Grade Elevation (See UGS-005.4).

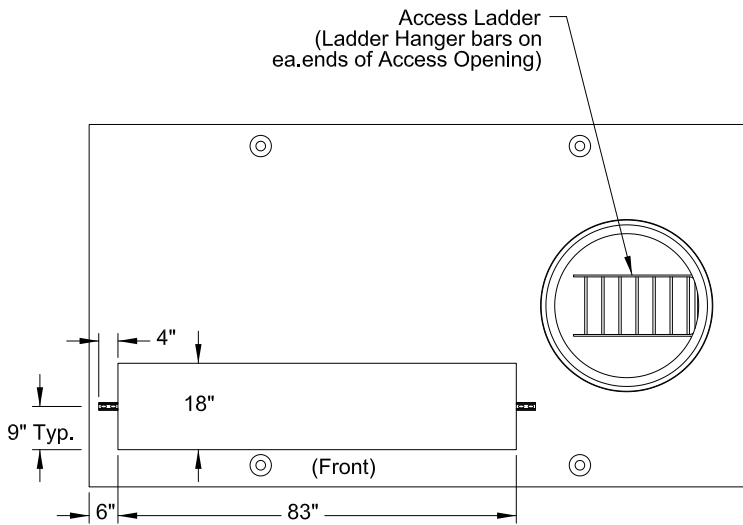
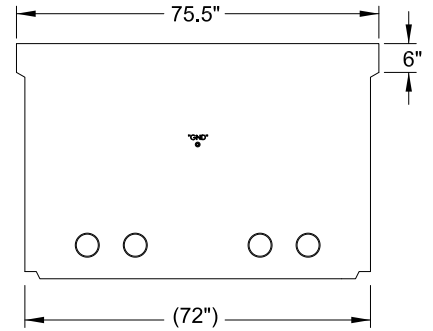
CHECKED BY (ENGINEERING): SJ
 DATE: 05/19/15

CHECKED BY (FIELD): GY

PREPARED BY: SJR
 APPROVED BY: *Shen Mejia*



PME "Left"
 Front of Structure (Cable Access / Cabinet Door Side),
 Manhole Access "Left" of Cable Access.



PME "Right"
 Front of Structure (Cable Access / Cabinet Door Side),
 Manhole Access "Right" of Cable Access.