

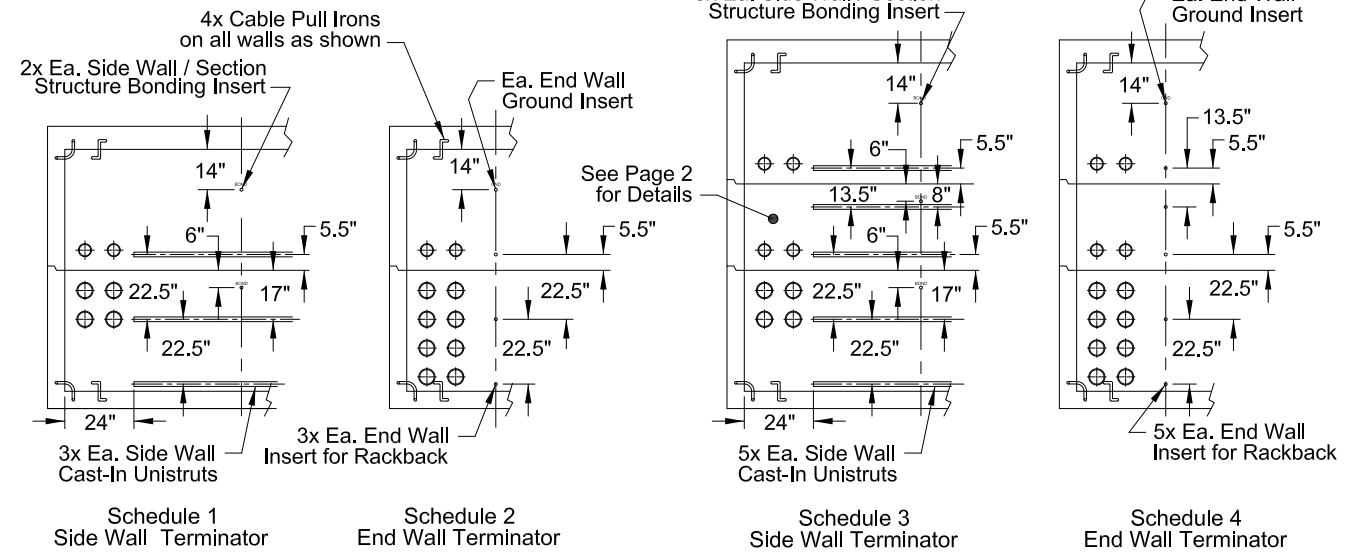
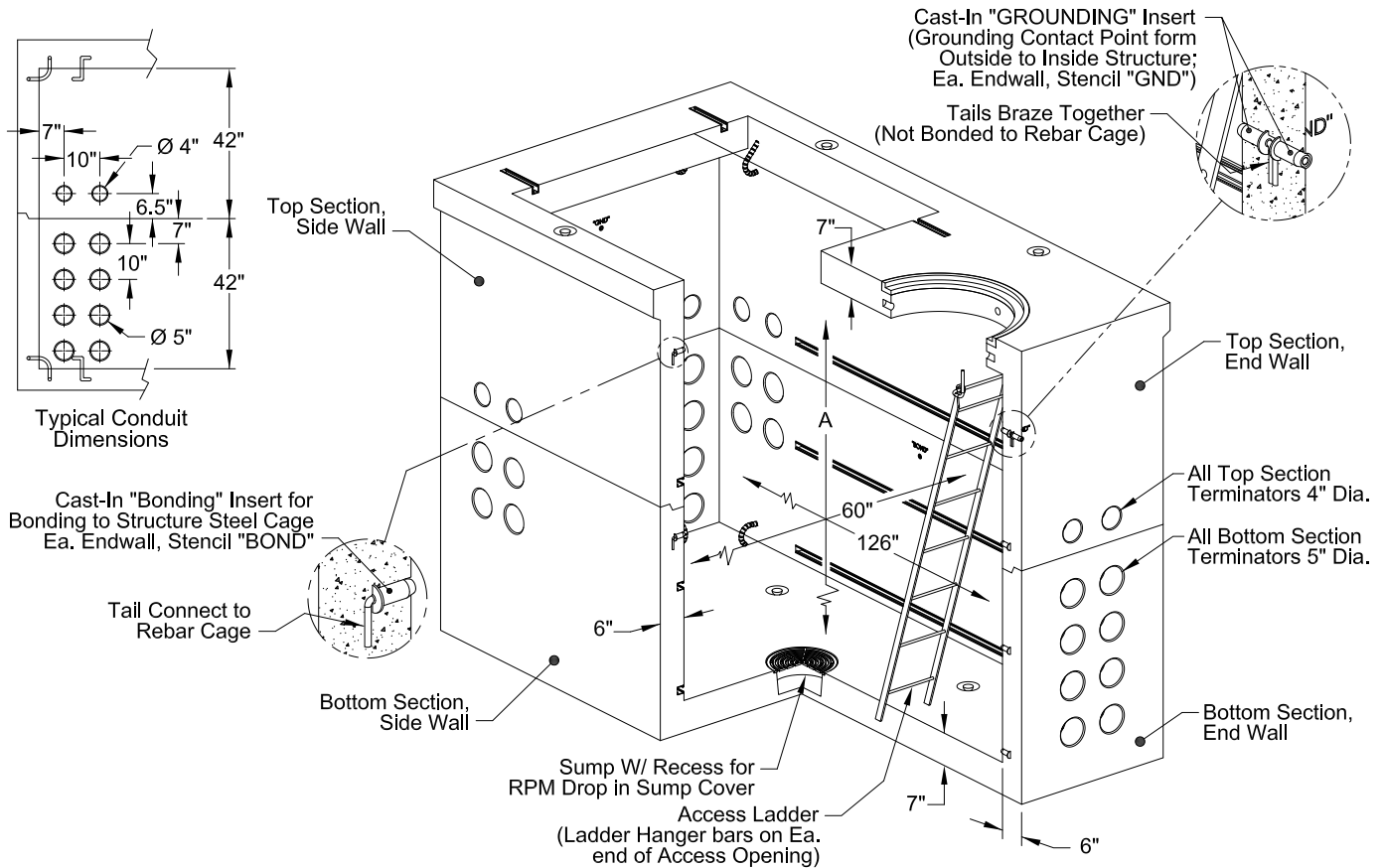
PMH (7' & 9-6") REQUIREMENTS (PRECAST)

REVISION: Relocated from UGS-460; Structure Redesigned & Optional Center Section Added for Grade Elevation (See Page 2).

CHECKED BY (ENGINEERING): SJ
 DATE: 05/19/15

CHECKED BY (FIELD): GY

PREPARED BY: SJR
 APPROVED BY: Chen Mejia



| Item No. | Nominal Size "Inside" (Depth x Width x Height) | Terminator Schedule | | Dimension A |
|----------|--|---------------------|----------|-------------|
| | | Side Wall | End Wall | |
| 4 | 5' x 10' 6" x 7' PMH | 1 | 2 | 84" |
| 5 | 5' x 10' 6" x 9'6" PMH (with 30" Center Extension) | 3 | 4 | 114" |

Notes:

- See UGS-005 for RPU Approved manufacturers of precast PMH structures and catalog numbers.
- Top Endwall terminator approximate depth is 36.50" (with structure 4" above ground level).

PMH (7' & 9-6") REQUIREMENTS (PRECAST)

REVISION: Relocated from UGS-460; Structure Redesigned & Optional Center Section Added for Grade Elevation.

CHECKED BY (ENGINEERING): SJ

DATE: 05/19/15

CHECKED BY (FIELD): GY

PREPARED BY: SJR

APPROVED BY: *Shen Mejia*

