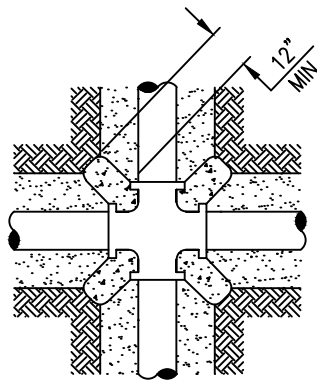
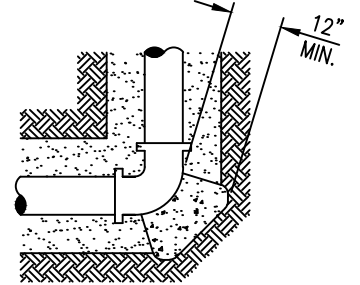


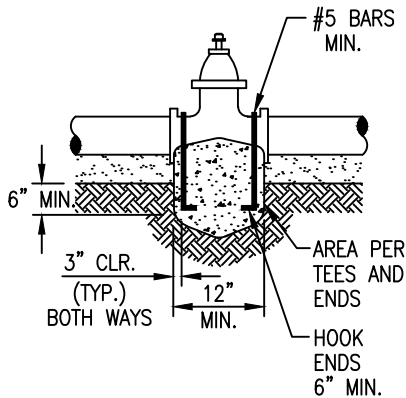
TEE



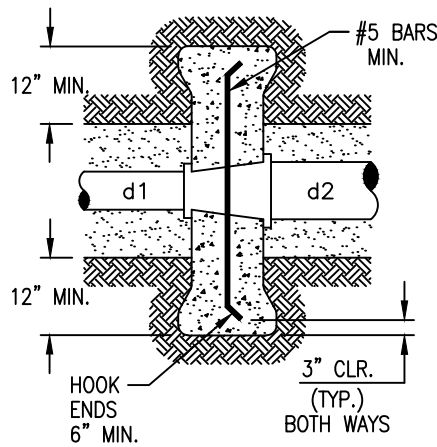
CROSS



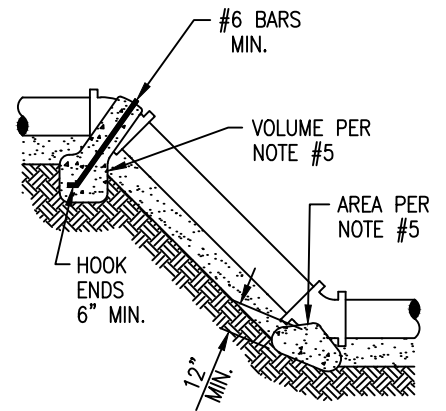
ELL



ANCHORAGE OF VALVE



REDUCER



VERTICAL P.I.

GUIDELINE

NOTES:

- 1.) ALL MATERIALS OF CONSTRUCTION SHALL CONFORM TO "STANDARD SPECIFICATIONS FOR PUBLIC WORKS CONSTRUCTION".
- 2.) THRUST AND ANCHOR BLOCKS FOR D.I.P. AND C.M.L.&C. STEEL PIPE SHALL BE OF PCC 450-C-2000 CONCRETE AND SHALL BE POURED AGAINST UNDISTURBED SOIL. CONCRETE SHALL BE KEPT CLEAR OF THE BELL END OF FITTINGS FOR DUCTILE IRON PIPE.
- 3.) ENGINEERED-APPROVED RESTRAINED JOINTS MAY BE USED IN-LIEU OF THRUST BLOCKS.
- 4.) ANCHOR BLOCK FOR GATE VALVES SHALL BE KEYED A MINIMUM OF 12 INCHES INTO TRENCH WALL AND 6 INCHES INTO BOTTOM OF TRENCH.
- 5.) THE ENGINEER OF RECORD SHALL SIZE ALL THRUST BLOCKS ON THE BASIS OF THE SOIL PASSIVE PRESSURE.



WATER DISTRIBUTION & TRANSMISSION
PIPELINE CONSTRUCTION METHODS

THRUST BLOCK DETAILS
TYPICAL