

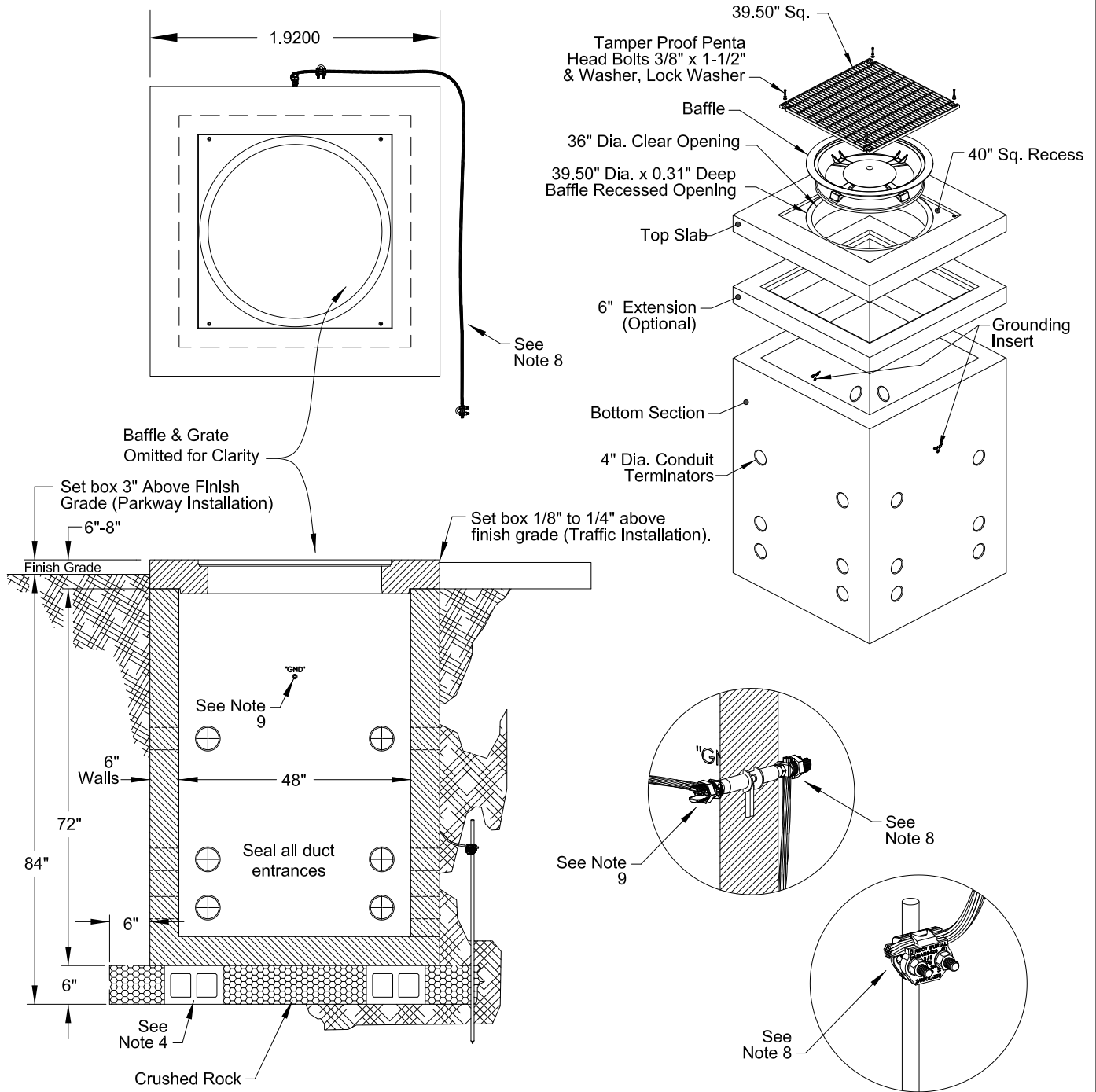
BURIED TRANSFORMER ENCLOSURE PARKWAY / INCIDENTAL TRAFFIC INSTALLATION

REVISION: New Square BTE Design Installation, Added Traffic Rated Structure Details (Replaced UGS-

CHECKED BY (ENGINEERING): SJ DATE: 05/22/17

CHECKED BY (FIELD): RJ

PREPARED / REVISED BY: SJR
 APPROVED BY: Stephen E. Saford



Notes:

1. See UGS-006 for manufacture part #'s, product details and dimensions.
2. When required, contractor shall furnish and install complete BTE assembly which includes Bottom Section, Top Section, 6" Extension(s) if required, Baffle, Grate (ADA Compliant and/or traffic rated if required).
3. Enclosures to be installed as specified on the job drawings with verification by R.P.U. Inspector.
4. Enclosures shall be set on 3-6" x 6"x 16" concrete blocks placed to support the enclosure. Blocks to be set level and to grade on a base compacted to 90% and inspected by RPU Inspector before setting structure.
5. Top of enclosure cover is to be set 3" above finish grade, and level.
6. Use end bells on all conduit runs
7. The excavation is to be back-filled with sand slurry, and compacted, after the installation of ducts is inspected by R.P.U. Inspector.
8. Install two 5/8" x 96" copper ground rods a minimum of 6' on center spacing with 4/0 bare copper wire, Per UGS-225.
9. At time of transformer installation install 4/0 Cu. Ground wire from transformer grounding bus to grounding insert using Servit Post Split Bolt (Stock # 21410).
10. Block retaining walls may be required (at the R.P.U. Inspector's discretion) to protect BTE from embankments.
11. All BTE'S shall be furnished with stainless steel penta head cap screws to secure the cover.
12. Enclosure interior shall be left clean, free of dirt, debris, and water.