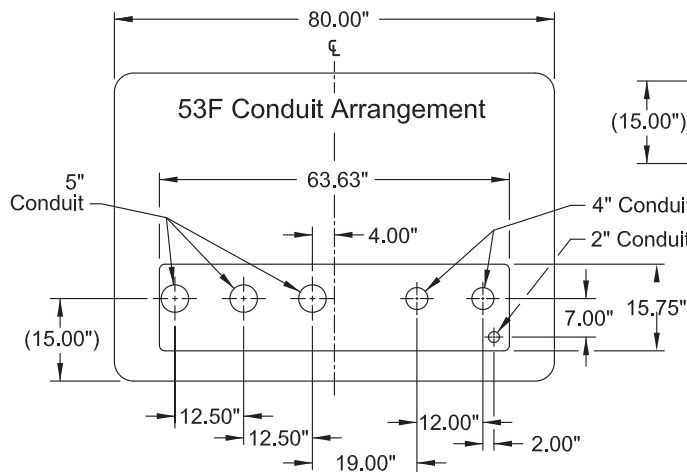
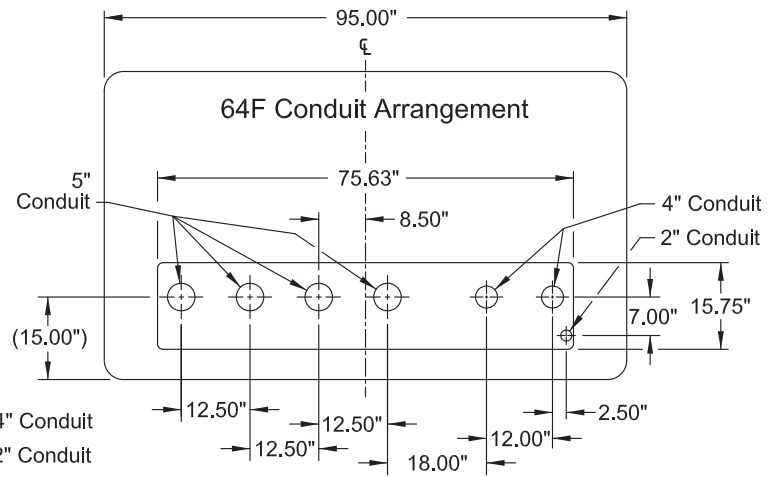
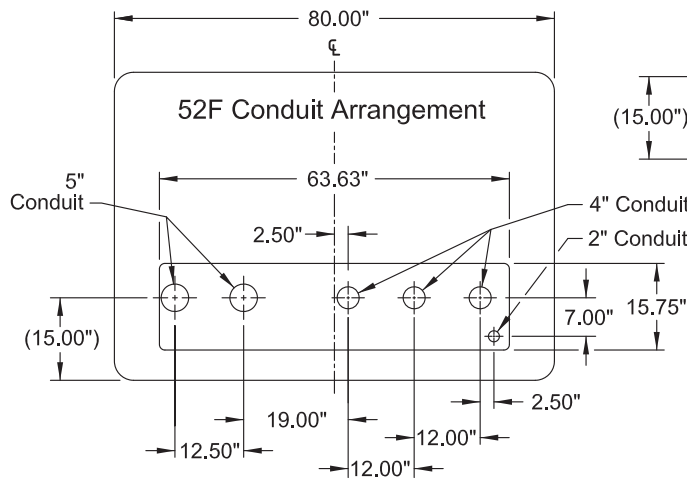
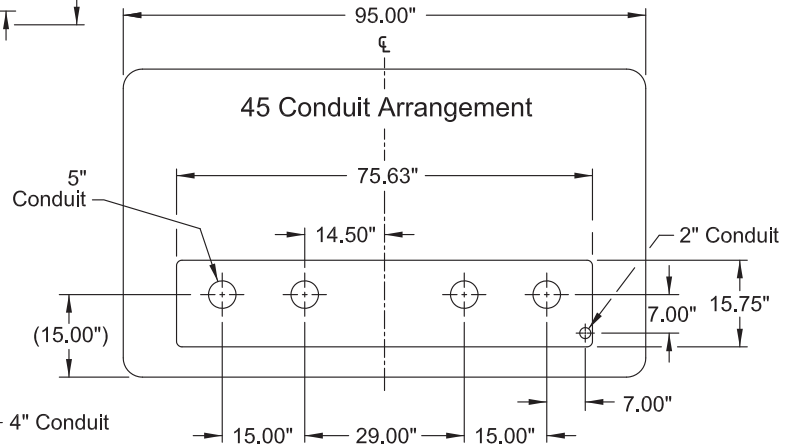
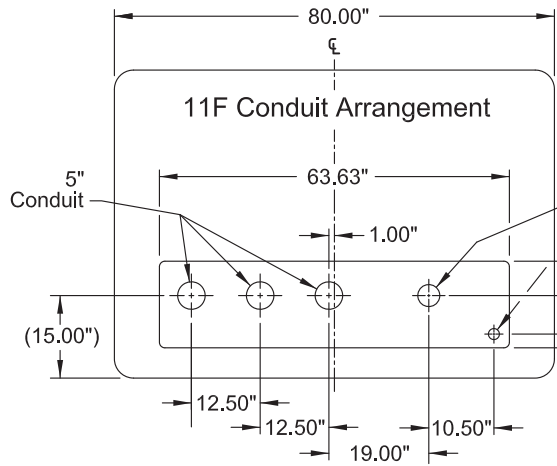


CONDUIT ARRANGEMENT FOR SERIES 11F, 45, 52F, 53F & 64F SWITCHES ON FIBERGLASS BOX PAD

REVISION: Relocated from UGS-661_Updated Format.
 Details & Notes

CHECKED BY
 (ENGINEERING): JRS
 DATE: 12/03/18

CHECKED BY
 (FIELD): JH
 APPROVED BY: *Stephen E. Saford*
 PREPARED BY: SJR



MAINTENANCE ONLY
 NOT FOR NEW CONSTRUCTION

Notes:

1. Modern Switchgear Cabinets Sizes for 11F, 52F & 53F have been revised to have larger cable access of 75-5/8 (same size opening as 64F)". If maintainancing existing existing Switchgear or Fiberglass Sleeve Installation verify item to be replaced will be compatible with existing infrastructure.